



PIONEER DJ PLX-CRSS12 Quick-Start Guide

Setup

Software

The Pioneer DJ PLX-CRSS12 is a Serato DJ official accessory meaning it requires a Serato DJ Pro supported primary device to be connected alongside it. The device must also be DVS enabled or DVS upgrade ready. You can see a complete list of supported DVS primary hardware via the links below.

[Serato DVS Enabled Hardware](#)

[Serato DVS Upgrade Ready Hardware](#)

The Pioneer DJ PLX-CRSS12 requires Serato DJ Pro 3.0.11 or above to connect and use the Pad Mode functions. The Digital Vinyl System Mode will work with all current and legacy Serato Software that supports DVS playback.

Some features of the PLX-CRSS12 are not specific to Serato DJ Pro, and are not detailed in this guide. Refer to Pioneer DJ's documentation for more information: www.pioneerdj.com/plx-crss12

Please ensure you have the latest version of Serato DJ Pro installed:

[Click here to download Serato DJ Pro](#)

Connection

The Pioneer DJ PLX-CRSS12 does not require manufacturer specific drivers on Mac or Windows operating systems.

PLX-CRSS12 Setup Steps:

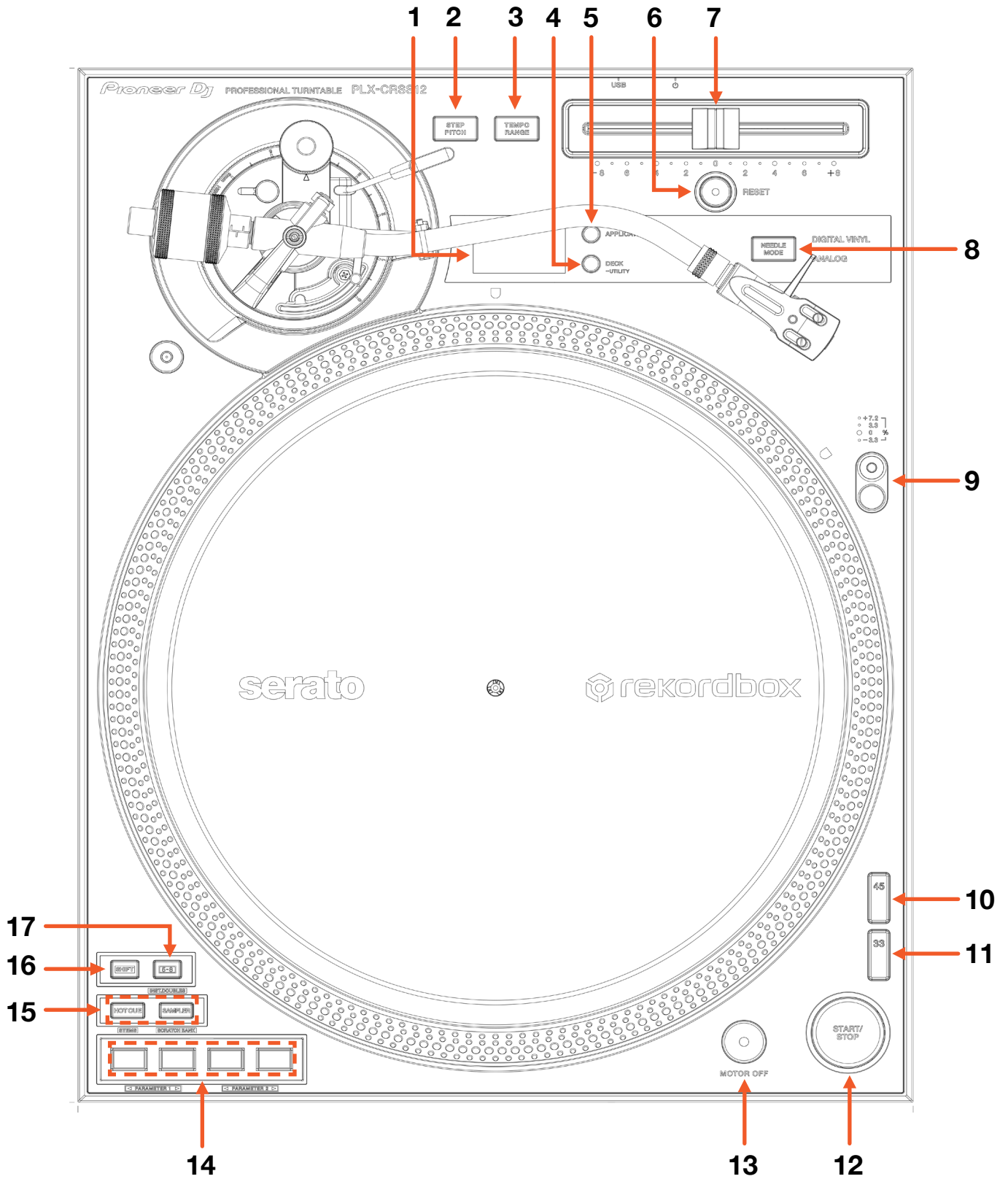
1. Connect your PLX-CRSS12 and your Serato primary hardware via their respective USB connections.
2. Connect the RCA cables from your PLX-CRSS12 to the Phono input on your Serato primary hardware.
3. Place the Magvel Clamp on the spindle.
4. Press the 'Needle Mode' button to switch the PLX-CRSS12 to Digital Vinyl mode.
5. Press the 'Application' button to ensure the OLED display shows Serato.
6. Press the 'Deck' button to select the deck you wish to control.
7. Ensure the virtual deck you wish to control in Serato DJ Pro is in Relative mode.
8. Repeat the process above to connect additional PLX-CRSS12 units.

For further DVS setup information, click [here](#).

When in Digital Vinyl Mode, the PIONEER DJ PLX-CRSS12 emits a Serato Control Tone from the RCA connections on the back of the unit. This allows you to use the PIONEER DJ PLX-CRSS12 without the USB connected if needed.

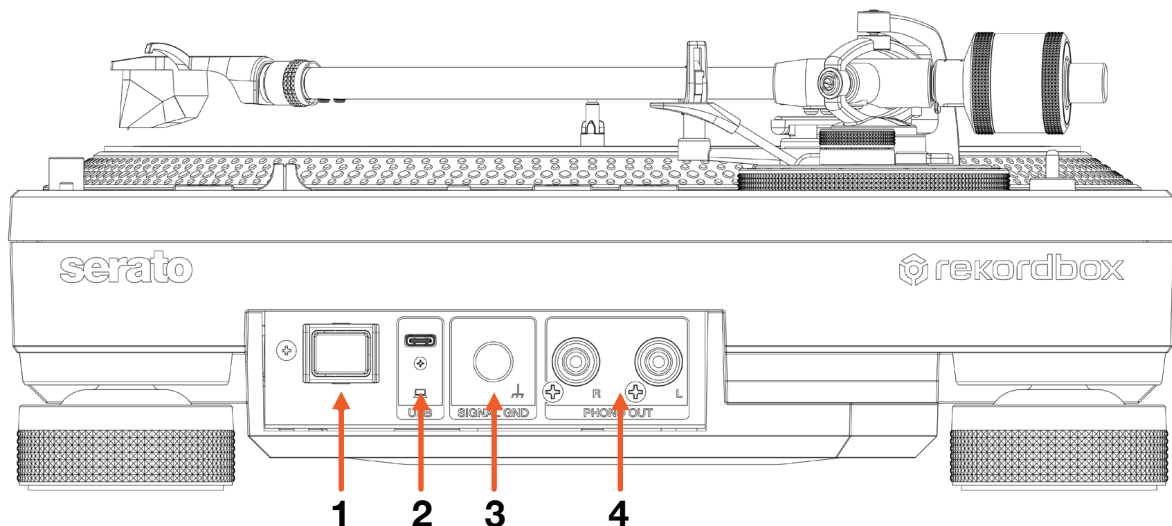
Note: The Pad Mode and OLED display functions will not be available without the USB cable connection.

Overview



Overview

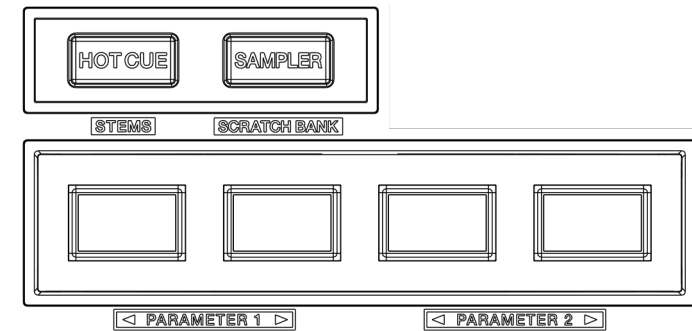
#	PIONEER DJ PLX-CRSS12 CONTROL	FUNCTION
1	OLED DISPLAY	Displays Tempo Range, Application, Deck Number, Key and Bpm information
2	STEP PITCH	Locks adjustments of the Tempo Fader at half note intervals
3	TEMPO RANGE	Changes the variable range of the tempo slider (8%, 16%, and 50%)
4	DECK	Selects which deck the Performance Pads control when using DJ software
5	APPLICATION	Press to select the DJ Software when using it in Digital Vinyl Mode
6	TEMPO RESET	Resets to 0% pitch, regardless of the Tempo Faders position
7	TEMPO FADER	Adjusts the speed of the turntable's rotation
8	NEEDLE MODE	Switches between Analog mode and Digital Vinyl mode
9	TARGET ILLUMINATOR	Illuminates the stylus and strobe dots on the platter
10	45	Press to change platter rotation speed to 45RPM
11	33	Press to change platter rotation speed to 33RPM
12	START/STOP	Press to start and stop the rotation of the plater
13	MOTOR OFF	Turns the motor off. The rotation of the turntable naturally stops
14	PERFORMANCE PADS	SEE PERFORMANCE PADS FOR MORE INFORMATION
15	PERFORMANCE PAD MODES	SEE PERFORMANCE PADS FOR MORE INFORMATION
16	SHIFT	Shift modifier, which can be held while using another control for secondary SHIFT function
17	5-8	Switches the Performance Pads between 1-4 and 5-8. Press while holding SHIFT for Instant Doubles



#	PIONEER DJ PLX-CRSS12 CONTROL	FUNCTION
1	POWER SWITCH	Turn the device on/off.
2	USB CONNECTOR	Connect the USB cable to a computer or mixer.
3	SIGNAL GROUND	Connect the turntable's grounding wire.
4	PHONO OUTPUT	Connect RCA cables to a mixer or audio interface.

Performance Pads

The Pioneer PLX-CRSS12 has 4 performance pads that can be used in one of 8 performance pad modes.



HOT CUE mode: Pads 1-4 or 5-8 trigger Serato DJ Pro Cue points, and if no Cue point is present on that slot/pad, pressing that pad will set a Cue point. Holding **SHIFT** while pressing a pad will clear the Cue point from that pad/slot.

ROLL mode: Press the **HOT CUE** mode button twice to enter Loop Roll mode. In this mode holding pads 1-4 or 5-8 activates a loop roll of varying sizes. Release the pad to exit the Loop Roll.



STEMS mode: Hold **SHIFT** while pressing the **HOT CUE** mode button to enter Stems mode. In this mode you can control features from the Stems Tab, allowing you to utilize real-time audio separation in Serato DJ Pro. Press pad 1 to toggle off/on the Vocal Stem, press pad 2 to toggle off/on the Melody Stem, press pad 3 to toggle off/on the Bass Stem, and press pad 4 to toggle off/on the Drums Stem. Pads 5-8 toggle Stem Pad FX, which consist of FX Vocal Echo, FX Instrumental Echo, Instrumental Braker FX, and FX Drums Echo.

NOTE: Using Stems is very CPU-intensive, and may take some time to initialize.

[CLICK HERE TO LEARN MORE ABOUT USING STEMS](#)

SAMPLER mode: Press pads 1-4 or 5-8 to trigger samples loaded into the Serato DJ Pro Sampler. Hold **SHIFT** while pressing a pad to stop the sample playback once triggered, or load the file highlighted in your library to the respective Sampler slot if no sample is loaded.

SAVED LOOP mode: Press the **SAMPLER** button twice to enter Save Loop mode. Pads 1-4 or 5-8 trigger Saved Loops, or save an Active Loop to an empty Loop Slot. Holding **SHIFT** while pressing a Pad will Reloop the Saved Loop Slot.

SCRATCH BANK mode: Hold **SHIFT** while pressing the **SAMPLER** button to enter Scratch Bank Mode. This mode allows you to assign files in your Serato DJ Pro library to a Pad. When Pads 1-4 or 5-8 are triggered, the corresponding file will be loaded to deck, allowing you to quickly load useful Scratch samples. Click the Scratch Bank button  in the top tool bar of Serato DJ Pro to reveal the Scratch Bank Panel. In this panel you can load and eject files from the Scratch Banks, as well as chose the preferences you wish to load to the deck upon triggering the pad. These preference include the start point of the file, Key Lock on/off and Repeat on/off. Clicking the  button in the top left corner of the panel will change between Advanced and Simple View.

MIDI

The MIDI feature in Serato DJ Pro provides the ability to remap Serato DJ Pro software functions to your Serato official accessory.

[For more information on MIDI mapping with Serato DJ Pro click here](#)

To remap your supported Serato official accessory, open the SETUP screen and click the MIDI tab. If your Serato device supports hardware remapping, it will show up in the MIDI Devices list at the top.

Select your connected device from the MIDI Devices list and make sure the “Allow Serato Hardware Remapping” option is checked.

Allow Serato Hardware Remapping

Once checked, the MIDI assign button at the top of the screen will become available for you to start remapping.

You can save, edit or delete MIDI presets in the MIDI tab of the SETUP screen. Clicking ‘Restore Defaults’ will erase any custom mappings for all connected devices and revert their functions back to default.

Note: Some buttons and functions on the Pioneer DJ PLX-CRSS12 are not MIDI remappable.

Help

Show Tooltips

Click on the **Help** button in the upper right-hand corner of Serato DJ Pro, then **Show tooltips** to enable tooltips. Tool tips provide a handy way to learn the various features of Serato DJ Pro.

Move the mouse over a section of the screen to bring up a context sensitive tool tip.

Watch Tutorials

Click on the **Help** button in the upper right-hand corner of Serato DJ Pro, then **Watch tutorials** to launch your default internet browser and watch tutorials, to help you get familiar with Serato DJ Pro.

Get Support

Click on the **Help** button in the upper right-hand corner of Serato DJ Pro, then **Get support** to launch your default internet browser and navigate to the Serato DJ Pro knowledge base, where you can find helpful articles and guides on Serato DJ Pro. Alternatively, type in the **Go** box, with keywords, to search the Serato DJ Pro knowledge base for specific, related topics.