



Pioneer DJ CDJ-3000 Quick-Start Guide

Setup

Firmware, setup & connection

The Pioneer DJ CDJ-3000 is a class compliant “Serato Official Accessory”, for Mac & Windows, and does not require separate drivers.

Each Pioneer DJ CDJ-3000 media player used with Serato DJ Pro in Internal mode using HID, requires a USB cable, a spare USB port, and must be connected alongside Serato DJ primary hardware.

If you don't have enough USB ports available to you, you may need to connect your CDJ-3000 media players to a powered USB hub. It is important to always connect your Serato DJ primary hardware directly to your computer, where possible.

You must have **firmware version 1.20 or higher** installed on your CDJ-3000 devices, to connect to **Serato DJ Pro version 2.5.7 or higher**.

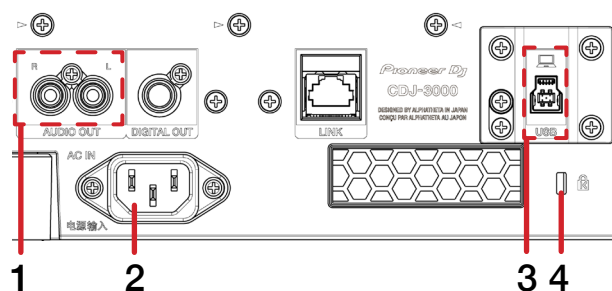
You can find instructions on how to update the firmware via our [Pioneer DJ CDJ-3000 Firmware update guide](#), or via [Pioneer's own website](#).

Please also ensure you have the latest version of Serato DJ Pro installed:

[Click here to download Serato DJ Pro](#)

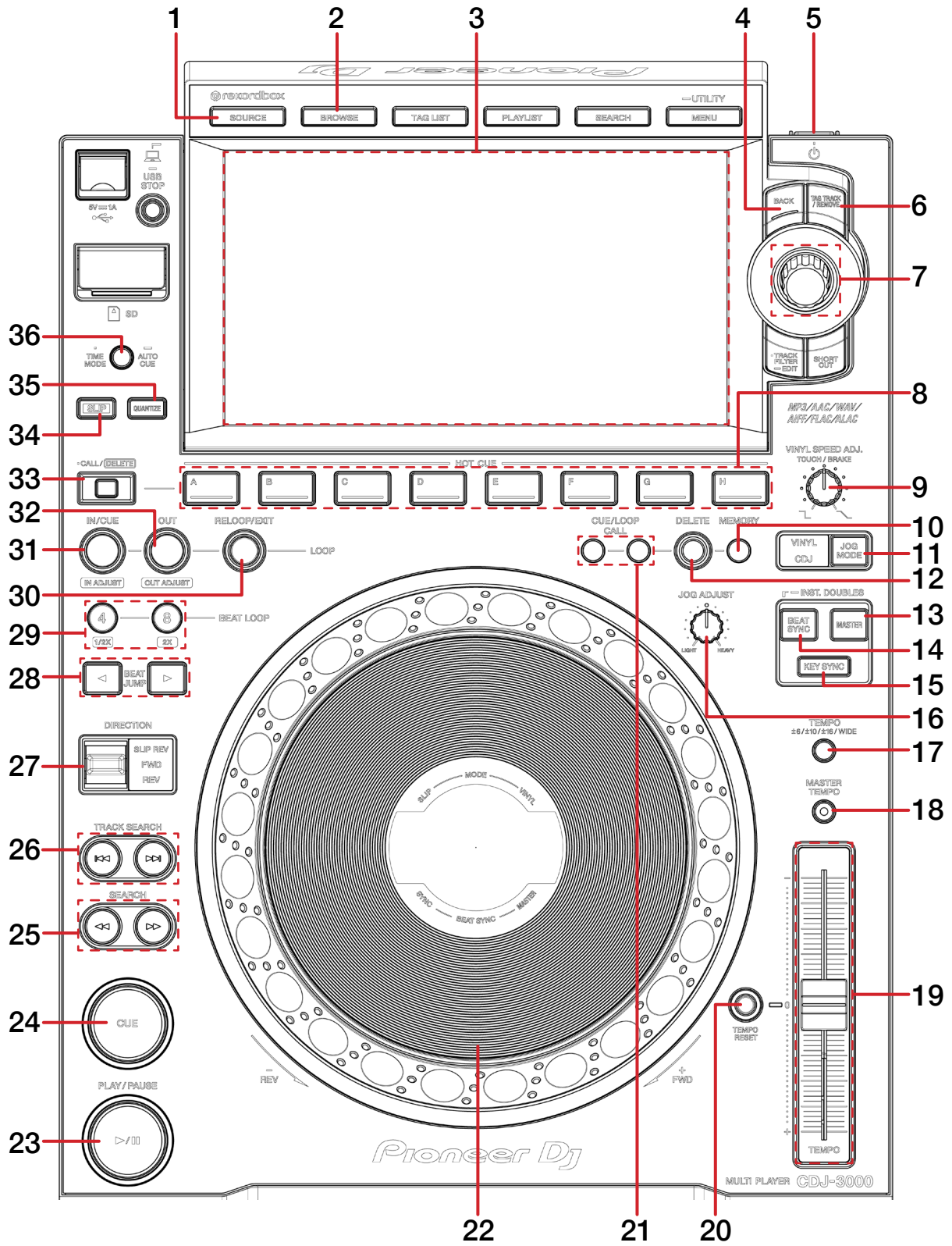
1. Connect your Serato DJ primary hardware via an available USB port on your computer
2. Open Serato DJ Pro
3. Connect the CDJ-3000 to your computer via an available USB port or USB hub (if required)
4. Press the **SOURCE** button on the CDJ-3000, then press the **Scroll Knob** in
5. Turn the **Scroll Knob** to select a virtual deck to assign the CDJ-3000 to control, then press the **Scroll Knob** in again to confirm
6. Set the respective virtual deck in Serato DJ Pro to INT (Internal) mode
7. Repeat steps 3-6 for any further CDJ-3000 devices you wish to use

Overview



#	CDJ-3000 CONTROL	FUNCTION
1	AUDIO OUT	Connect RCA audio cable
2	AC IN	Connect AC power cable
3	USB	Connect USB cable with PC
4	KENSINGTON LOCK	Secure device

Overview



Overview

#	CDJ-3000 CONTROL	FUNCTION
1	SOURCE	Press to choose source media
2	BROWSE	Toggle between Library view & Track view on device display
3	LCD DISPLAY	Device display
4	BACK	Toggle between Library & Crates
5	POWER	Turn on device
6	TAG TRACK / REMOVE	Add currently selected track to Prepare panel
7	SCROLL KNOB	Turn to scroll through library. Push in to load selected track to deck
8	HOT CUE	Press pads to trigger Hot Cues in slots 1-8. If no Hot Cue is present for that slot, pressing sets a Hot Cue in the respective button's slot
9	VINYL SPEED ADJ	Adjust braking speed
10	MEMORY	Toggle Loop lock on/off
11	JOG MODE	Toggle between Vinyl and CDJ jog mode
12	DELETE	Delete Loop from loop slot
13	MASTER	Turns Sync off
14	BEAT SYNC	Turns Sync on
15	KEY SYNC	Toggle Key sync on/off
16	JOG ADJUST	Adjust platter sensitivity
17	TEMPO	Cycle tempo ranges
18	MASTER TEMPO	Toggle Key lock on/off
19	TEMPO SLIDER	Adjust tempo
20	TEMPO RESET	Reset tempo to zero
21	CUE/LOOP CALL	Select next saved loop slot/Select previous saved loop slot
22	PLATTER	Touch top to scratch or jog. Move the outside of the platter to jog
23	PLAY/PAUSE	Play/pause track
24	CUE	Works as CDJ style cue button for setting and jumping to temporary cue
25	SEARCH	Rewind/Fast forward
26	TRACK SEARCH	Load previous track/Load next track
27	DIRECTION	Switch up activates Censor/Switch down activate Reverse
28	BEAT JUMP	Perform Beat jump backwards/Perform Beat jump forwards
29	BEAT LOOP	Activate 4 Beat Loop (or halve currently active loop)/Activate 8 Beat Loop (or double currently active loop)
30	RELOOP/EXIT	Reloop (or Exit Loop if loop already active)
31	IN/CUE	Set Loop In point (or adjust Loop In point if loop already active)
32	OUT	Set Loop Out point (or adjust Loop Out point if loop already active)
33	CALL/DELETE	Holding while pressing a Hot Cue button to remove respective cue point
34	SLIP	Toggle Slip mode on/off
35	QUANTIZE	Toggle Quantize on/off
36	TIME MODE	Toggle between time elapsed/time remaining on CDJ display

Help

Show Tooltips

Click on the **Help** button in the upper right-hand corner of Serato DJ Pro, then **Show tooltips** to enable tooltips. Tool tips provide a handy way to learn the various features of Serato DJ Pro.

Move the mouse over a section of the screen to bring up a context sensitive tool tip.

Watch Tutorials

Click on the **Help** button in the upper right-hand corner of Serato DJ Pro, then **Watch tutorials** to launch your default internet browser and watch tutorials, to help you get familiar with Serato DJ Pro.

Get Support

Click on the **Help** button in the upper right-hand corner of Serato DJ Pro, then **Get support** to launch your default internet browser and navigate to the Serato DJ Pro knowledge base, where you can find helpful articles and guides on Serato DJ Pro. Alternatively, type in the **Go** box, with keywords, to search the Serato DJ Pro knowledge base for specific, related topics.