



Denon DJ X1850 Prime Quick-Start Guide

Setup

Serato Software

The Denon DJ X1850 Prime is a “Paid upgrade to Serato DJ Pro” device, meaning it requires a stand-alone Serato DJ license to be used with Serato DJ Pro. This can be purchased by itself, or alongside the Serato DVS expansion, bundled as the Serato DJ Club Kit. Find out more, [here](#).

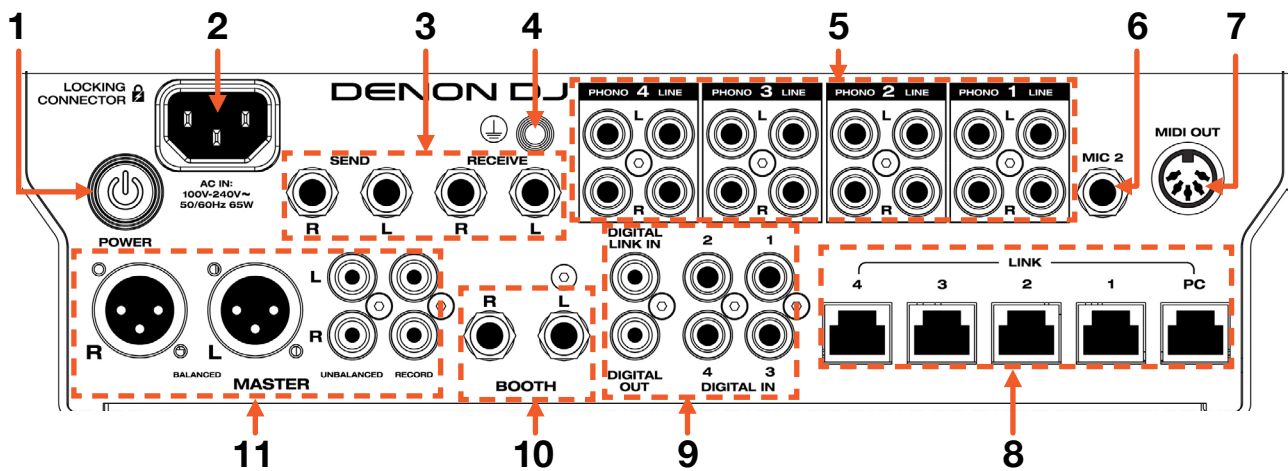
Please ensure you have the latest version of Serato DJ Pro installed:
[Click here to download Serato DJ Pro](#)

Driver Software

The Denon DJ X1850 Prime is class-compliant on macOS systems, and is plug & play with Serato DJ Pro. On Windows you will need to install a driver from Denon’s website, or when prompted after opening Serato DJ Pro, while the mixer is connected.

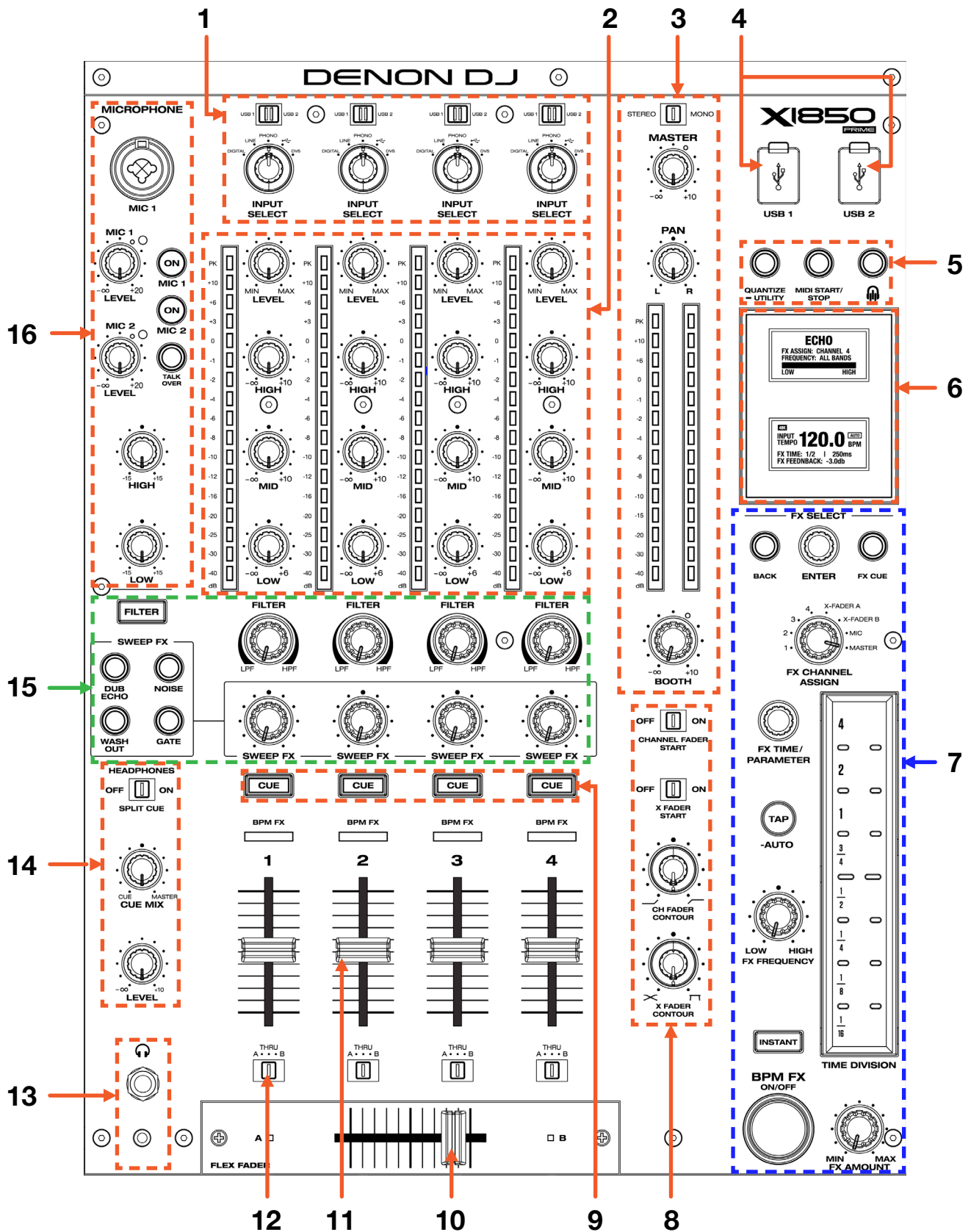
We also recommend that you have the latest firmware installed for the Denon DJ X1850 Prime, which can be found on Denon’s website.

Overview



#	X1850 PRIME CONTROL	FUNCTION
1	POWER SWITCH	Turn on mixer
2	AC IN	AC power input
3	SEND/RECEIVE	Connect TRS jack for send & receive input/output respectively
4	GROUND POST	Connect ground wire from turntables
5	PHONO/LINE 1/2/3/4	Connect LINE or PHONO input
6	MIC 2	Connect microphone
7	MIDI OUT	Connect MIDI device
8	LINK	Connect Link-compatible device via RJ45 connection
9	DIGITAL LINK IN/OUT & DIGITAL IN	Connect various digital devices
10	BOOTH	Connect Booth output via TRS
11	MASTER	Connect Master output via XLR, Unbalanced RCA, or Record

Overview



Overview

#	X1850 PRIME CONTROL	FUNCTION
1	CHANNEL USB & INPUT SELECT	Input source & USB 1/2 select per channel
2	CHANNEL CONTROLS & METER	EQ & Level controls and meter per channel
3	MASTER CONTROLS & METER	Master & booth level control, pan, stereo/mono switch & master meter
4	USB 1 & USB 2	Connect USB cable to computer(s)
5	ADDITIONAL MIXER CONTROLS	Utility, MIDI toggle & PRIME control
6	FX LCD DISPLAY	Mixer hardware FX display
7	BPM FX	Hardware BPM FX
8	FADER SETTINGS	Adjust channel & crossfader curves and enable channel/crossfader start
9	CHANNEL CUE	Cue selected channel for headphone monitoring
10	CROSSFADER	Crossfader between channel A/B
11	CHANNEL FADER	Channel volume
12	CROSSFADER ASSIGN	Assign per channel A/Thru/B
13	HEADPHONE OUTPUT	Connect headphones via 1/8" or 1/4" port
14	HEADPHONES SECTION	Headphones level, mix & split-cue switch controls
15	FILTER & SWEEP FX SECTION	Sweep FX & Filter controls
16	MIC SECTION	Adjust Mic level, tone, toggle on/off & echo

DVS

The Denon DJ X1850 Prime is 'paid upgrade to Serato DVS hardware', meaning it requires activation of a Serato DVS license to allow you to use turntables or CD players to control Serato DJ Pro using NoiseMap™ Control Tone. Serato DVS is purchased separately and then requires activation. You can find out more and purchase DVS, by visiting our website [here](#).

Setup

Enable the DVS expansion pack in Serato DJ Pro via **Setup --> Expansion packs --> Vinyl/CD control**, then connect your Denon DJ X1850 Prime via USB to your computer, connect your turntables or other PHONO device to the PHONO inputs on the back of the mixer, or CD/Media players to the LINE inputs on the back of the mixer.

Set the Input Source select near the top of each respective channel to 'DVS', and the USB selector to the respective USB port the computer you're using is connected to.

Head over to **Setup --> Audio** in Serato DJ Pro, and choose TURNTABLES for PHONO devices, or CDs for LINE devices, under **Deck Setup**.

Choose Primary decks 1 & 2 for a traditional 1-2-3-4 channel configuration (matching the physical appearance of the X1850), or decks 2 & 3 for a 3-1-2-4 channel configuration, with primary decks in the middle.

MIDI

The MIDI feature in Serato DJ Pro provides the ability to remap Serato DJ Pro software functions to your primary Serato controller, interface or mixer. You can also assign controls to a secondary MIDI controller to further enhance your performance.

[For more information on MIDI mapping with Serato DJ Pro click here](#)

To remap your supported Serato device, open the SETUP screen and click the MIDI tab. If your Serato device supports hardware remapping, it will show up in the MIDI Devices list at the top.

Select your connected device from the MIDI Devices list and make sure the “Allow Serato Hardware Remapping” option is checked.

Allow Serato Hardware Remapping

Once checked, the MIDI assign button at the top of the screen will become available for you to start remapping.

You can save, edit or delete MIDI presets in the MIDI tab of the SETUP screen. Clicking ‘Restore Defaults’ will erase any custom mappings for all connected devices and revert their functions back to default.

Help

Show Tooltips

Click on the **Help** button in the upper right-hand corner of Serato DJ Pro, then **Show tooltips** to enable tooltips. Tool tips provide a handy way to learn the various features of Serato DJ Pro.

Move the mouse over a section of the screen to bring up a context sensitive tool tip.

Watch Tutorials

Click on the **Help** button in the upper right-hand corner of Serato DJ Pro, then **Watch tutorials** to launch your default internet browser and watch tutorials, to help you get familiar with Serato DJ Pro.

Get Support

Click on the **Help** button in the upper right-hand corner of Serato DJ Pro, then **Get support** to launch your default internet browser and navigate to the Serato DJ Pro knowledge base, where you can find helpful articles and guides on Serato DJ Pro. Alternatively, type in the **Search help** **Go** box, with keywords, to search the Serato DJ Pro knowledge base for specific, related topics.