



Roland TR-8 Quick-Start Guide

Setup

Serato Software

The Roland TR-8 is a “Serato DJ Pro official accessory”, meaning it works with Serato DJ Pro out of the box, but requires additional primary hardware connected, that falls under the Serato DJ Pro hardware unlocked or Paid upgrade to Serato DJ Pro categories.

NOTE: The TR-8 ,when used with Serato DJ Pro, is not compatible with other Serato compatible devices, that use a TR drum machine, such as the Roland DJ-202, DJ-505, or DJ-808 - and cannot be used in conjunction with other TR accessories.

Please ensure you have the latest version of Serato DJ Pro installed:

[Click here to download Serato DJ Pro.](#)

Please note that this Quick Start Guide focuses on all Serato DJ Pro features and functions for this device. For a more comprehensive guide refer to the Roland User Guide available on Roland’s website [here](#).

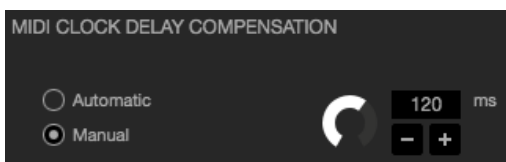
Driver Software

The Roland TR-8 requires manufacturer specific drivers on Mac and Windows operating systems. You can find the driver software on Roland’s website [here](#).

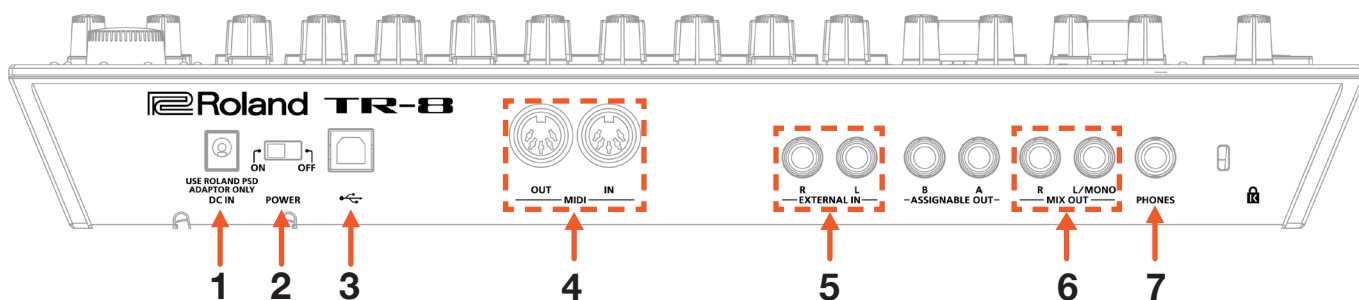
TR Connection

1. Install Drivers & latest Firmware for your TR device as per the Driver Software section above.
2. Ensure your Serato primary hardware & TR device are connected via USB. Ensure the audio outputs on your TR device are connected to a mixer or controller audio input, or separate speakers.
NOTE: Audio is not output via the USB connection of your TR device.
3. Launch the latest version of Serato DJ Pro, load tracks to your virtual decks, and enable sync.
4. Hold the TAP button on the TR-8 and turn the TEMPO knob to the right to engage Sync (turn it left while holding TAP to disengage Sync). Observe the decimal point in the BPM LED display flashing to indicate sync is successful.
5. Use the ‘Start/Stop’ control on the TR-8 to trigger your sequence.

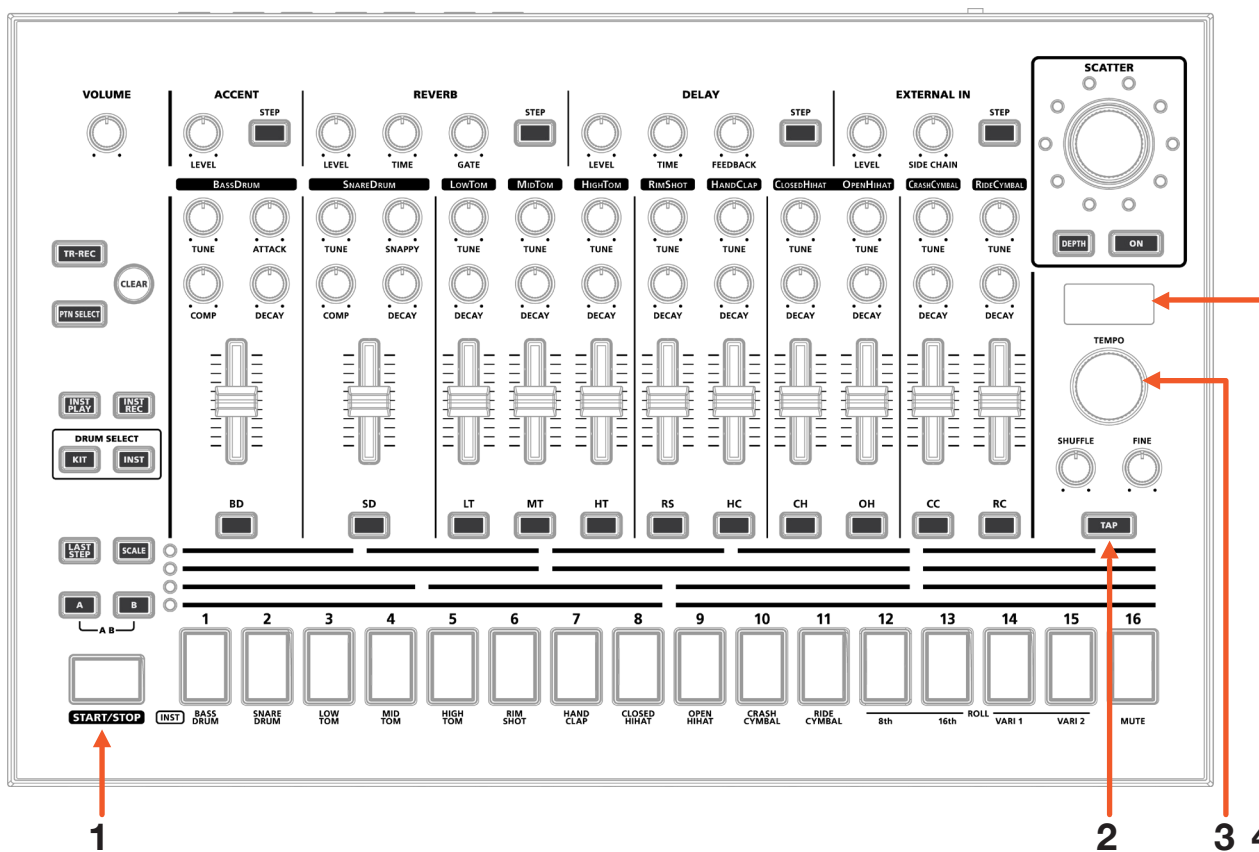
TIP: Use the MIDI Clock Delay Compensation feature to adjust timing if the beat sequence is slightly off-beat via: **Setup --> Audio --> MIDI Clock Delay Compensation --> Manual**



Overview



| # | ROLAND TR-8 CONTROL | FUNCTION |
|---|---------------------|--|
| 1 | DC POWER IN | Connect DC adapter |
| 2 | POWER SWITCH | Turn device on/off |
| 3 | USB | Connect to PC via micro USB |
| 4 | MIDI IN/OUT | Connect with another MIDI device |
| 5 | EXT IN | 1/4" TRS input jack - send audio in from another device via |
| 6 | MIX OUT | 1/4" TRS output jack - connect to speakers for audio output |
| 7 | PHONES | 1/4" TRS headphone output - connect to headphones for audio output |



| # | ROLAND TR-8 CONTROL | FUNCTION |
|---|---------------------|--|
| 1 | START/STOP | Start or stop beat sequence |
| 2 | TAP | Shift modifier |
| 3 | TEMPO | Enable Sync (hold Tap + turn Tempo knob right) / Disable Sync (hold Tap + turn Tempo knob left) |
| 4 | BPM DISPLAY | Displays tempo |

Help

Show Tooltips

Click on the **Help** button in the upper right-hand corner of Serato DJ Pro, then **Show tooltips** to enable tooltips. Tool tips provide a handy way to learn the various features of Serato DJ Pro.

Move the mouse over a section of the screen to bring up a context sensitive tool tip.

Watch Tutorials

Click on the **Help** button in the upper right-hand corner of Serato DJ Pro, then **Watch tutorials** to launch your default internet browser and watch tutorials, to help you get familiar with Serato DJ Pro.

Get Support

Click on the **Help** button in the upper right-hand corner of Serato DJ Pro, then **Get support** to launch your default internet browser and navigate to the Serato DJ Pro knowledge base, where you can find helpful articles and guides on Serato DJ Pro. Alternatively, type in the **Go** box, with keywords, to search the Serato DJ Pro knowledge base for specific, related topics.