



Pioneer DJ DDJ-SB3 Quick-Start Guide

Setup

Serato Software

The Pioneer DJ DDJ-SB3 is a “Serato DJ Lite hardware unlocked” device, meaning it works with Serato DJ Lite out of the box.

It is also a “paid upgrade to Serato DJ Pro device”, meaning it requires the purchase of a Serato DJ Pro license, in order to be used with Serato DJ Pro.

You can also trial Serato DJ Pro, for up to 14-days.

[Click here to find out more about buying or activating Serato DJ Pro](#)

Please ensure you have the latest version of Serato DJ Pro installed:

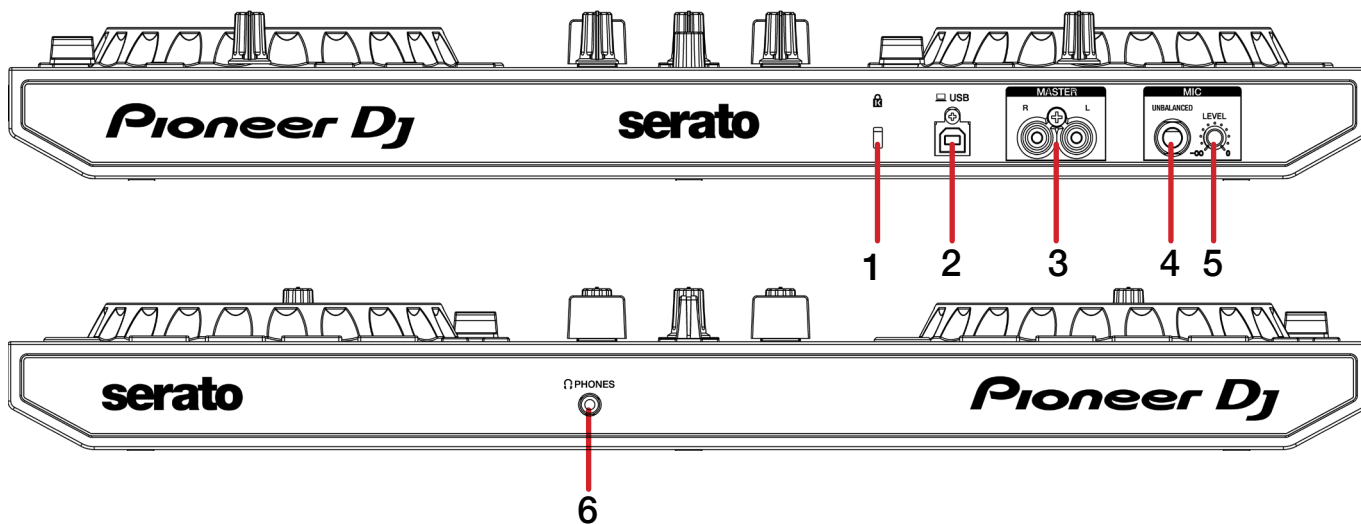
[Click here to download Serato DJ Pro](#)

Driver Software

The Pioneer DJ DDJ-SB3 does not require manufacturer specific drivers on either Windows or Mac operating systems, and is plug & play with Serato DJ Pro.

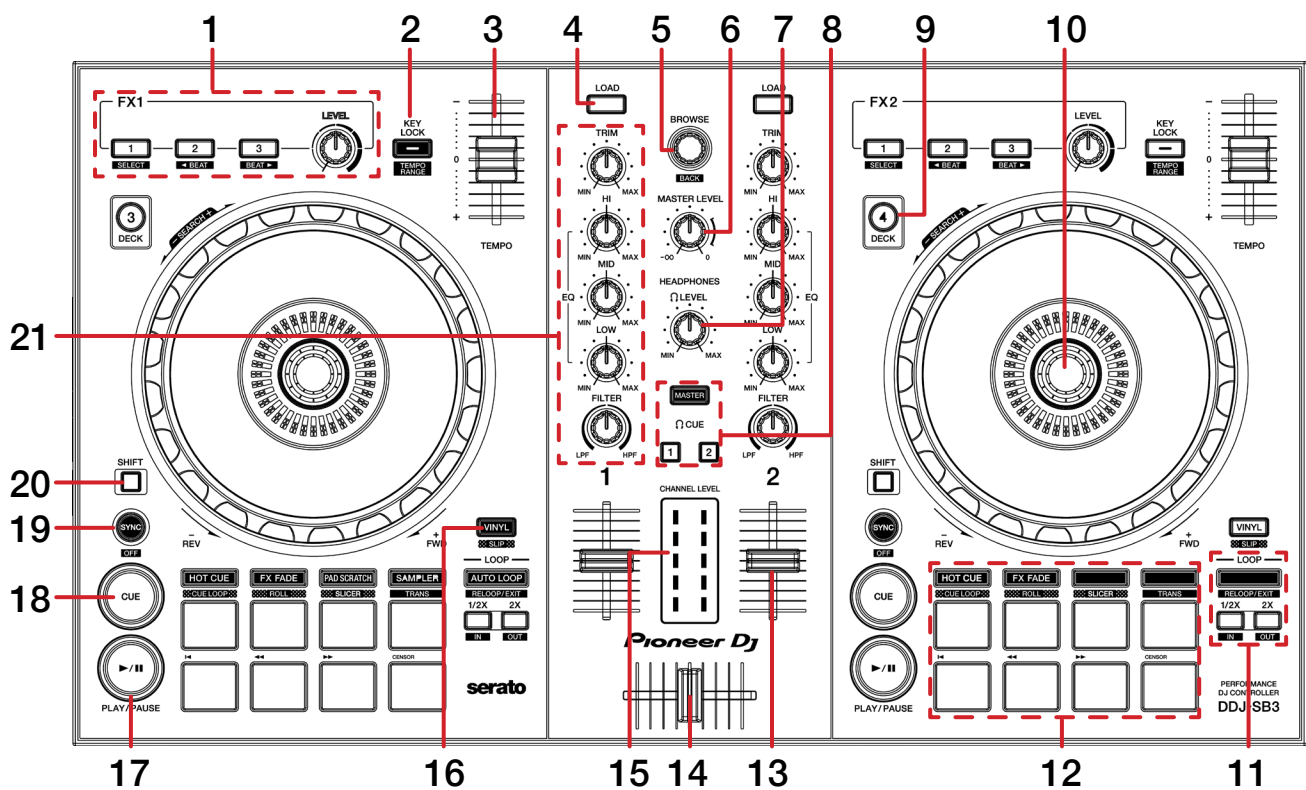
On Windows you may see some generic class drivers installed by the operating system to facilitate communication with the device.

Overview



#	PIONEER DJ DDJ-SB3 CONTROL	FUNCTION
1	KENSINGTON LOCK	Connect Kensington Lock
2	USB PORT	Connect USB cable from PC
3	MASTER OUTPUT	RCA Master output
4	MIC INPUT	Unbalanced microphone 1/4" / 6.5mm input
5	MIC LEVEL ADJUST	Adjust microphone input level
6	HEADPHONES	1.8" / 3.5mm headphone output

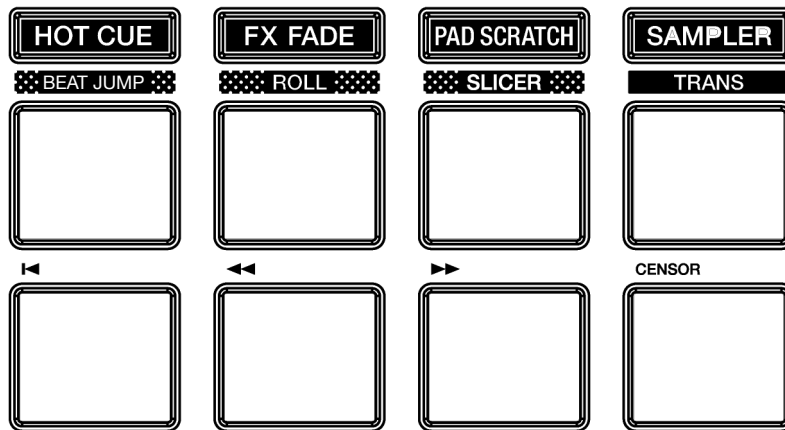
Overview



#	PIONEER DJ DDJ-SB3 CONTROL	FUNCTION	SHIFT FUNCTION
1	FX SECTION	SEE DJ-FX FOR MORE INFORMATION	
2	KEYLOCK	Press to toggle KEYLOCK per deck	Adjust Tempo Range per deck
3	TEMPO SLIDER	Adjust tempo / pitch	Ignore Tempo / Pitch adjustment
4	LOAD	Load selected track to deck. Press twice to instant double	
5	BROWSE	Library Scroll. Press to toggle between track and crate selection.	Fast library scroll. Press in for Library back
6	MASTER LEVEL	Adjust Master output level	
7	HEADPHONES LEVEL	Adjust headphone output level	
8	CUE SECTION	Press to Cue specific channel or master for headphone monitoring	
9	DECK LAYER	Press to change deck layer between deck 2 & 4	
10	PLATTER/JOG WHEEL	Control waveform within Serato DJ, or bend pitch (depending on platter mode)	Fast waveform scroll or aggressive pitch bend
11	LOOP CONTROLS	Engage autoloop, and 1/2x or 2x loop length SEE LOOPING FOR MORE INFORMATION	Re-loop/Exit loop, or adjust in & out point of manual loop
12	PERFORMANCE PADS	SEE PERFORMANCE PADS FOR MORE INFORMATION	
13	CHANNEL FADER	Adjusts channel volume	Channel Fader start
14	CROSS FADER	Crossfade audio between channels	
15	CHANNEL METER	Observe channel levels	
16	VINYL	Toggle VINYL mode on or off	Toggle Slip mode on or off
17	PLAY/PAUSE	Toggle Play / Pause on selected deck	Stutter Play
18	CUE	Cues from temporary cue point/Set temporary cue point	Load previous track
19	SYNC	Turn SYNC on	Turn SYNC off
20	SHIFT	Used with other controls that have SHIFT modifier function	
21	CHANNEL EQ/TRIM/FILTER	Adjust channel EQ, level & engage channel filter (LPF/HPF)	

Performance Pads

The Pioneer DJ DDJ-SB3 comes with 8 RGB performance pads, that can be used across 8 different performance pad modes.



These consist of:

HOT CUE mode: Pads 1-8 trigger Serato DJ Pro Cue points, and if no Cue point is present on that slot/pad, sets a Cue point. Holding SHIFT while pressing a pad will clear the Cue point from that pad/slot.

BEAT JUMP mode: Hold SHIFT while pressing HOT CUE to enter Beat Jump mode. Pad 1 triggers a Beat Jump left, while pad 4 Beat Jumps right. Pads 2 & 3 halve and double Beat Jump size respectively. Pad 5 jumps to the start of the track or loads the previous track, pads 6 & 7 rewind and fast forward, and pad 8 activates the Censor. Holding SHIFT while pressing pad 8 reverses the playback direction.

FX FADE mode: In this mode, pads 1-8 offer a variety of predefined combination FX & looping / platter modification. Pad 1: HPF fade 1, Pad 2: LPF fade 1, Pad 3: Loop Fade 1, Pad 4: Backspin 1, Pad 5: HPF Fade 2, Pad 6: LPF Fade 2, Pad 7: Loop Fade 2, & Pad 8: Backspin 2.

ROLL mode: Hold SHIFT while pressing FX FADE to enter Loop roll mode. In this mode holding pads 1-8 activates a loop roll of varying sizes. Release the pad to exit the Loop Roll. Use the 'Shift Autoloop range' controls in Serato DJ Pro to change the 8 selected loop size options.

PAD SCRATCH mode: Press pads 1-8 to trigger predetermined Scratches over a Cue point. Hold SHIFT while pressing pads 1-4 to change to a new Cue point to effect.

SLICER mode: Hold SHIFT while pressing PAD SCRATCH to enter Slicer mode. In this mode a specified range (or domain) is divided into eight equal sections, and these eight sliced sections are assigned to the respective performance pads (1-8). The domain shifts as the track duration elapses.



SAMPLER mode: Press pads 1-8 to trigger samples loaded into the Serato DJ Pro Sampler. Hold SHIFT while pressing a pad to stop the sample playback once triggered, or load a sample to the respective Sampler slot if no sample is loaded.

TRANS mode: Hold SHIFT while pressing SAMPLER to enter Trans mode. Press pads 1-7 to perform a predetermined 'transform' cut in this mode. Pad 8 allows you to extend the duration of the transform cut to your liking (press & hold to engage, and release to cease).

DJ-FX

The DJ-FX in Serato DJ Pro are powered by iZotope™. Click the FX button  to open the FX panel. Select either 1, 2, 3, 4 or M to assign the selected effect bank to a deck or Master Output.


There are two available modes with DJ-FX. Single FX Mode allows you to select one effect per FX bank, and has multiple parameters that can be adjusted. Multi FX Mode allows you to select up to three effects per FX bank, and adjust only one parameter, the FX Depth. The same effects available in Single FX mode are available in Multi FX mode, as well some additional presets.

You can select between the two FX modes by clicking either the Single FX mode button  or Multi FX mode button .

DDJ-SB3 Control	Single FX mode	Multi FX mode	Shift function
FX Button 1	Effect On/Off	Slot 1 Effect On/Off	Slot 1 Select Effect
FX Button 2	Toggle FX parameter 2	Slot 2 Effect On/Off	Decrease Beat multiplier value
FX Button 3	Toggle FX parameter 4	Slot 3 Effect On/Off	Increase Beat multiplier value
FX Level parameter	Adjust FX Depth (parameter 1)	Adjust FX Depth (all FX simultaneously)	

Looping

You can control Auto and Manual Loops within Serato DJ Pro, using controls on the Pioneer DJ DDJ-SB3.

NOTE: You can also save a loop to the next available free loop slot in the software. To do this, click  on an available loop slot. Your loops are saved to the file and recalled the next time it is loaded. They are not lost if the file is moved or renamed.

DDJ-SB3 Control	Function	Shift function
AUTO LOOP	Activate Autoloop	Reloop or Exit current loop
1/2X	Halve Loop Size	Edit Loop IN point
2X	Double Loop Size	Edit Loop OUT point

When in the Loop Roll pad mode, you may also control Loop sizes with the 1/2x and 2x buttons.

MIDI

The MIDI feature in Serato DJ Pro provides the ability to remap Serato DJ Pro software functions to your primary Serato controller, interface or mixer. You can also assign controls to a secondary MIDI controller to further enhance your performance.

[For more information on MIDI mapping with Serato DJ Pro click here](#)

To remap your supported Serato device, open the SETUP screen and click the MIDI tab. If your Serato device supports hardware remapping, it will show up in the MIDI Devices list at the top.

Select your connected device from the MIDI Devices list and make sure the “Allow Serato Hardware Remapping” option is checked.

Allow Serato Hardware Remapping

Once checked, the MIDI assign button at the top of the screen will become available for you to start remapping.

You can save, edit or delete MIDI presets in the MIDI tab of the SETUP screen. Clicking ‘Restore Defaults’ will erase any custom mappings for all connected devices and revert their functions back to default.

Help

Show Tooltips

Click on the **Help** button in the upper right-hand corner of Serato DJ Pro, then **Show tooltips** to enable tooltips. Tool tips provide a handy way to learn the various features of Serato DJ Pro.

Move the mouse over a section of the screen to bring up a context sensitive tool tip.

Watch Tutorials

Click on the **Help** button in the upper right-hand corner of Serato DJ Pro, then **Watch tutorials** to launch your default internet browser and watch tutorials, to help you get familiar with Serato DJ Pro.

Get Support

Click on the **Help** button in the upper right-hand corner of Serato DJ Pro, then **Get support** to launch your default internet browser and navigate to the Serato DJ Pro knowledge base, where you can find helpful articles and guides on Serato DJ Pro. Alternatively, type in the **Go** box, with keywords, to search the Serato DJ Pro knowledge base for specific, related topics.