

QUICK-START GUIDE PIONEER CDJ-900NXS

serato



DJ

Installation and Setup

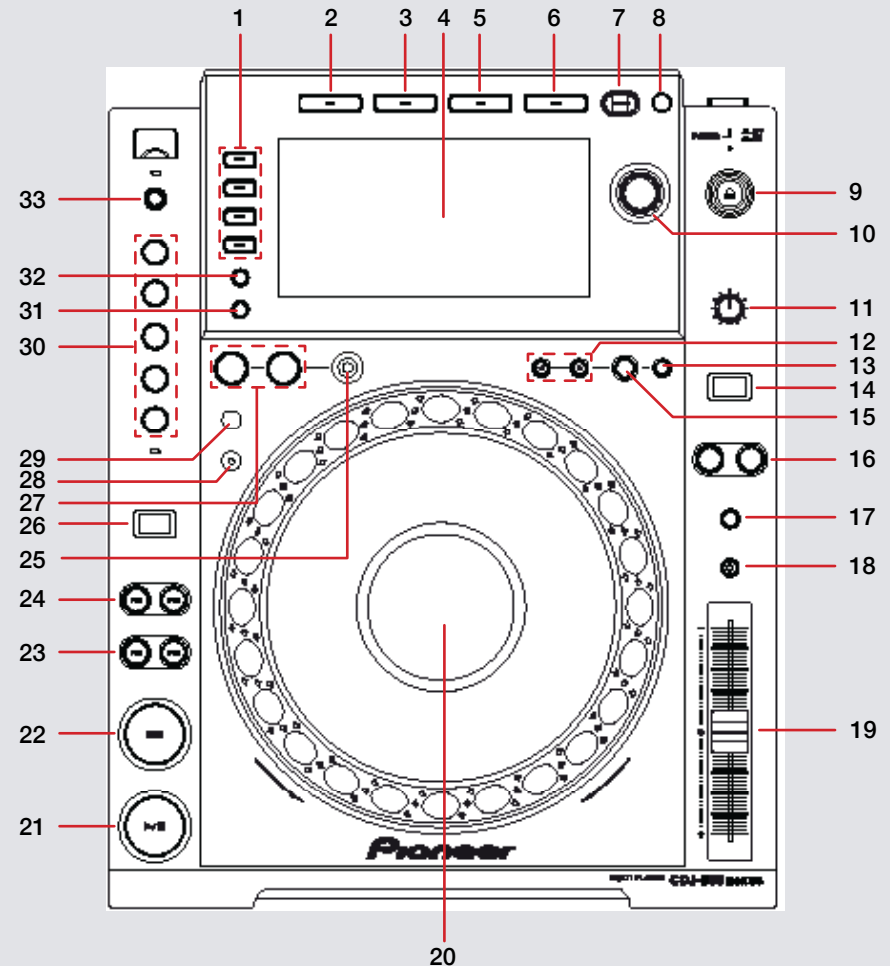
The Pioneer CDJ-900NXS is a class compliant USB plug and play device for Mac, but requires drivers for Windows. You will find these on the installation CD that is provided with your CDJ-900NXS, or as a download from the [Pioneer website](#).

To use a pair of CDJs with Serato DJ, you will need at least 3 available USB ports. If you don't have 3 ports available you may be able to connect your CDJs to a powered USB hub. It is however, important to always connect your Serato DJ hardware directly to your computer.

Please also ensure you have also installed the latest available version of [Serato DJ](#).

1. Connect your Serato DJ hardware as per normal into an available USB port on your computer.
2. Connect the CDJ to your computer via USB cable or USB hub.
3. Open Serato DJ.
4. Press the LINK button on the CDJ-900NXS.
5. Press the Scroll Knob to connect to the computer.
6. Use the Scroll Knob to choose which virtual deck you wish the CDJ-900NXS to control.
7. Set the virtual deck in Serato DJ to Internal mode (INT).

Your CDJ-900NXS can also be used to play regular CDs. To do this just connect the CDJs audio outs (RCA) to your Serato DJ hardware as you would your regular CD players.



#	Pioneer CDJ-900NXS	Function
1	SOURCE SELECT	Select between either rekordbox/LINK/USB/DISC source
2	BROWSE	Browse through Library
3	TAG LIST	Not Mapped
4	DISPLAY SCREEN	Displays library/crate information, track time and BPM etc
5	INFO	Press and hold 1 sec to display track information
6	MENU	Not Mapped
7	BACK	Toggles between Library and Crates
8	TAG TRACK/REMOVE	Add selected track to Prepare panel
9	DISC EJECT	Eject a track from the selected virtual deck
10	SCROLL KNOB	Scrolls through crates & library area / Push the scroll knob to move the cursor to library from crates / Push to load track
11	VINYL SPEED ADJUST	Turn to adjust start & stop time
12	CUE/LOOP CALL	Select saved loop slot / Select auto loop defined length when loop is active
13	MEMORY	Lock Loop
14	JOG MODE	Toggles between jog or scratch mode for jog wheel
15	DELETE	Delete saved loop
16	BEAT SYNC	SYNC engages Sync, MASTER disengages Sync
17	TEMPO	Cycle through available tempo ranges
18	MASTER TEMPO	Keylock On/Off
19	TEMPO FADER	Adjust Tempo
20	JOG WHEEL	Touch the top to scratch or jog. Moving the outside of the wheel will jog
21	PLAY/PAUSE	Play/Pause track
22	CUE	Works as CDJ style cue button for setting and jumping to temporary cue
23	SEARCH	Fast Forward/Rewind

#	Pioneer CDJ-850	Function
24	TRACK SEARCH	Load Next Track/Previous Track
25	RELOOP/EXIT	Reloop/Exit Loop (Loop Active)
26	DIRECTION	Changes track play direction
27	IN/OUT LOOP	Manually set IN and OUT points of loops. Press again to adjust
28	SLIP	Enables Slip mode
29	4-BEAT LOOP	Activate 1 bar Auto-loop
30	BEAT DIVIDE	Activate loop roll
31	QUANTIZE	Quantize On/Off
32	TIME MODE/AUTO CUE	Toggle between time elapsed/remaining on the CDJ screen
33	USB STOP	Not Mapped


MIDI


The MIDI control feature in Serato DJ provides the ability to map Serato DJ software functions to MIDI controller functions such as keyboards, triggers, sliders, and knobs. Integrating MIDI controllers into your Serato DJ setup can improve live performance usability, such as hitting pads on a MIDI controller to trigger Loops or Cue Points. Buttons marked as 'MIDI mappable' can be MIDI mapped to the Serato DJ function of your choice.

For further information on how to MIDI map Serato DJ software functions, download the Serato DJ manual.

NOTE : You can not change the functionality of other buttons by using the MIDI control feature.

Using the Tool Tips

Click on the  icon to enable Tool Tips. This is located in between the MIDI and setup button in the top right hand corner of the screen. Tool Tips provide a handy way to learn the various features of Serato DJ.

Move the mouse over a section of the screen to bring up a context sensitive tool tip. Holding the mouse over the  button with Tool Tips turned on will show you a list of all keyboard shortcuts.

For more information about how to use Serato DJ, please go to our website www.serato.com or download the Serato DJ Manual.

For more information on your CDJ-900NXS, please refer to the Pioneer CDJ-900NXS Manual.

For further help, please contact support@serato.com or go to <http://serato.com/dj/support>

serato

