

**QUICK-START
GUIDE
HERCULES
DJCONTROL
JOGVISION**

serato



Installation and Setup

The Hercules DJControl Jogvision is a class compliant USB plug and play device and requires no further driver installation on Mac OS X, but requires drivers for Windows. Please download the latest drivers from the manufacturers website.

NOTE: Please ensure you have the latest available drivers AND firmware updates, which may be required in order to be compatible with Serato DJ. Please visit the hardware manufacturers website for downloads.

1. Download and install the latest version of Serato DJ from <http://serato.com/dj/downloads>
2. After installing drivers, connect your DJControl Jogvision to an available USB Port.
3. Open Serato DJ.

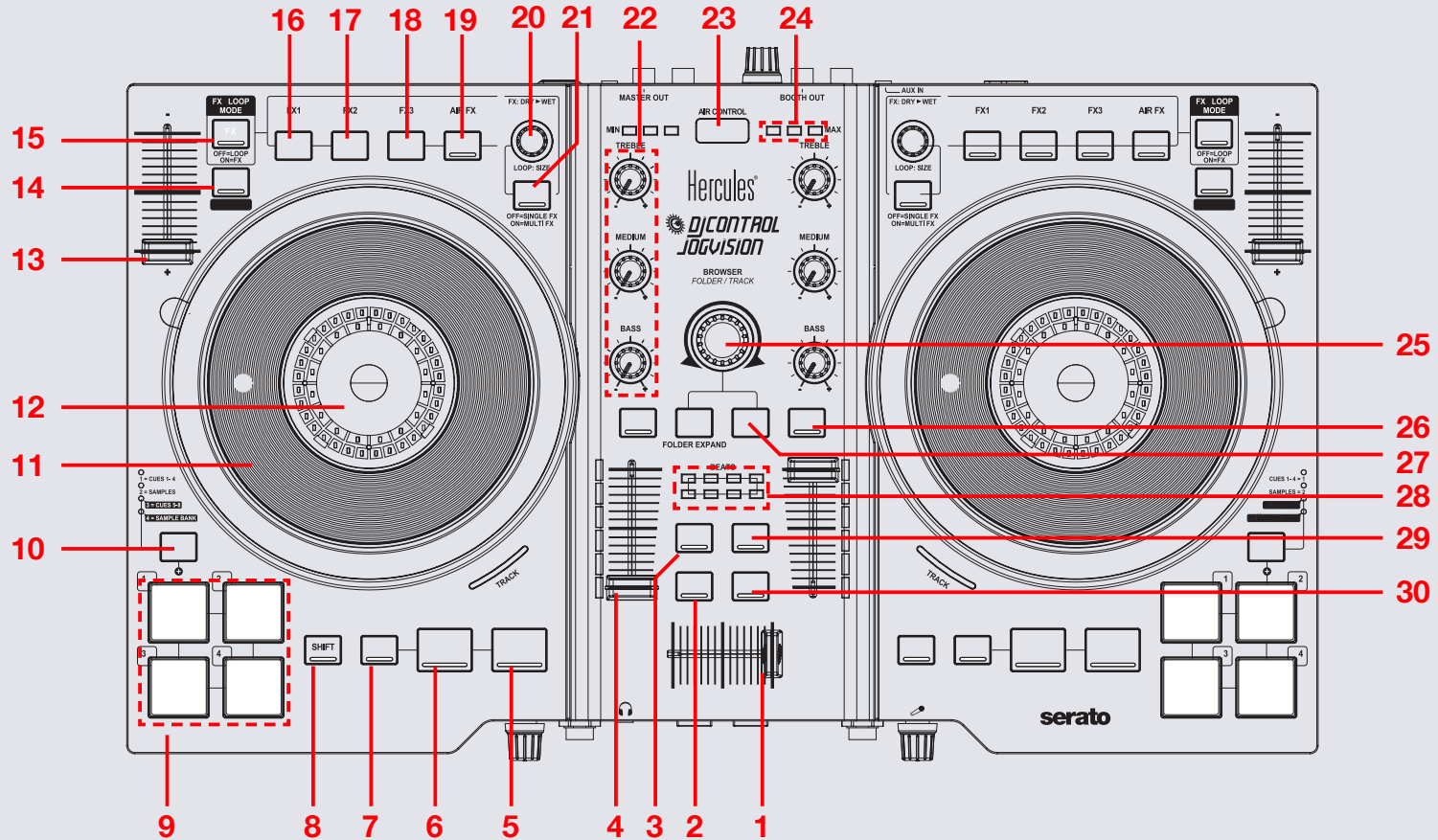
Serato DJ Activation

The Hercules DJControl Jogvision requires an activation license to be purchased before it can be used with Serato DJ. To find out how to activate Serato DJ by either starting your free 14 day trial, or purchasing a license for Serato DJ, [click here](#) for the most up to date information.

serato



Controller



serato



NOTE: SHIFT button is used with other buttons that have shift modifier functions.

#	DJControl Jogvision Control	Serato DJ Function	Shift Function
1	CROSSFADER	Fade audio between channels	
2	VIEW	Toggle Serato DJ view modes	
3	VINYL	Enable VINYL mode for the platters	
4	CHANNEL FADER	Adjust channel output volume	
5	PLAY/PAUSE	Play/pause currently loaded track	Stutter cue
6	CUE	Set/Play from temporary cue	Previous track
7	SYNC	Enable SYNC	Disable SYNC
8	SHIFT	Used with other controls that have SHIFT modifier functions	
9	PERFORMANCE PADS	SEE PERFORMANCE PADS SECTION FOR MORE INFORMATION	
10	MODE	Toggle performance pad mode	
11	PLATTER	Used to control loaded track	Beat Skip
12	TEMPO FADER	Adjust tempo of currently loaded track	
13	KEY LOCK	Enable Keylock	Enable SLIP mode
14	FX/LOOP MODE	Turn on for FX Mode, turn off for Loop Mode	
15	FX 1/LOOP 1/2	Turn FX 1 On/Half the currently selected loop	Select FX for slot (Single/Multi FX modes)
16	FX 2/LOOP ON	Turn FX 2 On/Turn currently selected loop On	Select FX for slot (Multi FX mode only)
17	FX 3/LOOP 2X	Turn FX 3 On/Double the currently selected loop	Select FX for slot (Multi FX mode only)
18	AIR FX	Engage AIR FX for channel	Tap Tempo

serato

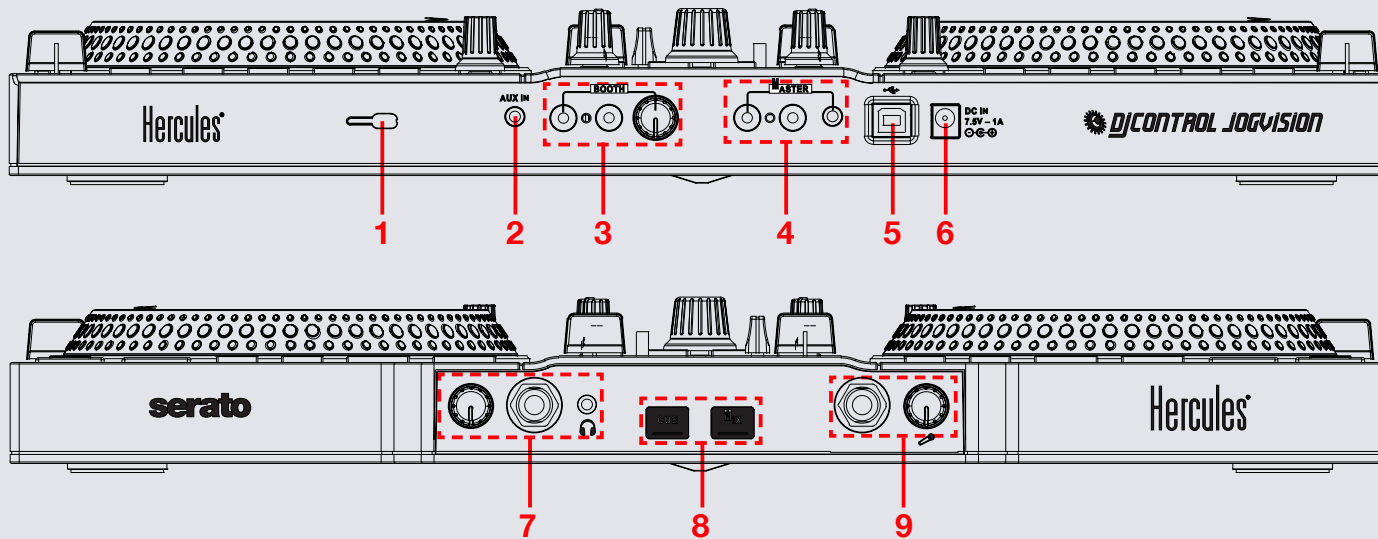


NOTE: SHIFT button is used with other buttons that have shift modifier functions.

#	DJControl Jogvision Control	Serato DJ Function	Shift Function
20	BEATS	Adjust FX Dry/Wet	Adjust beats multiplier timing
21	MULTI FX	Turn on to control Multi FX. Turn off for Single FX.	
22	CHANNEL EQ	Adjust EQ for channel	
23	AIR CONTROL	Control DJControl Jogvision Air Control features	
24	MIN MAX LCD	Shows intensity of AIR FX	
25	BROWSE KNOB	Browse Serato DJ library	Back
26	CHANNEL CUE	Enable headphone monitoring for selected channel	
27	LOAD A/B	Load highlighted track in the library to respective deck	
28	BEATS LCD	Beatmatching assistant	
29	MIC	Turn Mic On/Off	
30	LOAD PREPARE	Load highlighted track in the library to the Prepare crate	Toggle Serato DJ areas

serato





#	DJControl Jogvision Control	Serato DJ Function
1	SECURITY LOCK	Connect a security lock to the device
2	AUX IN	1/8" Auxiliary input
3	BOOTH	Booth output and level control
4	MASTER	Master output
5	USB	Connect a USB to your computer
6	DC POWER IN	DC Power input
7	HEADPHONES	1/8" and 1/4" Headphone output and level control
8	CUE/MIX	Press CUE to monitor the selected channel, press MIX to monitor the master output
9	MIC	Microphone input and level control

AIR FX

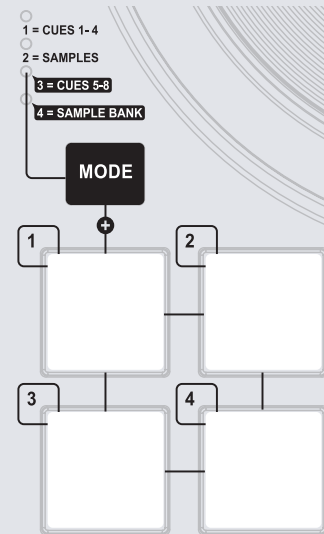


The Hercules DJControl Jogvision has a proximity sensor Instant Filter. By turning the AIR FX on and moving your hand over the AIR CONTROL sensor you are able to engage a Low Pass Filter for the channels which have Air FX active.

Hold your hand high to start filtering, lower the hand towards the controller to increase the depth of the filter. When the hand is taken away the filter is removed.

The intensity of the filter is displayed on the MIN/MAX LCD meter.

Performance Pads





Choose the Performance Pad mode you want to use by holding the **MODE** button and pressing one of the 4 Performance Pads. Hold **MODE** and press Pad 1 for **CUES 1-4**, press Pad 2 for **SAMPLES**, press Pad 3 for **CUES 5-8** and press Pad 4 to choose **SAMPLE BANKS**.

While in Cue modes, pressing a pad will set/play a Cue Point. Hold **SHIFT** and press a Cue Point pad to delete the Cue Point. While in Sampler modes, hold **SHIFT** and press a Sampler pad to stop the playing sample. If no sample is loaded, pressing an empty pad while in Sampler modes will load the currently highlighted file in your library to the SP-6 Sampler slot.

DJ-FX

The DJ-FX in Serato DJ are powered by iZotope™. Click the DJ-FX tab to open the FX panel. Select either 1, 2 or M to assign the selected effect bank to a deck or Master Output. To activate an effect, click the **ON** button on the FX UNIT in the software, or use the FX controls on your controller.

There are two available modes in the DJ-FX. Single FX Mode allows you to select one effect per FX bank, and has multiple parameters that can be adjusted. Multi FX Mode allows you to select up to three effects per FX bank, and adjust only one parameter, the FX Depth. The same effects available in Single FX mode are available in Multi FX mode, as well some additional presets.


You can select between the two FX modes by clicking either the Single FX mode button  or Multi FX mode button .

Jogvision control	Single FX	Multi FX	Shift
FX 1	Enable FX	Enable FX 1	Select effect for slot 1
FX 2	Adjust FX parameter 2	Enable FX 2	Select effect for slot 2 (Multi-FX only)
FX 3	Adjust FX parameter 3	Enable FX 3	Select effect for slot 3 (Multi-FX only)
AIR FX	Engage AIR FX	Engage AIR FX	Tap Tempo
BEATS	Adjust FX 1 Dry/Wet	Adjust all FX Dry/Wet	Adjust beats multiplier timing

The effect time is set using the tracks BPM value, but by adjusting the Beats Multiplier you can increase or decrease the effect timing.

Looping

You have the choice of Auto or Manual Looping within Serato DJ with the Hercules DJControl Jogvision.

NOTE You can save a loop to the next available free loop slot in the software. To do this, click  on an available loop slot. Your loops are saved to the file and recalled the next time it is loaded. They are not lost if the file is moved or renamed.

Jogvision control	Serato DJ control	Shift
LOOP X1/2	Half current loop	
LOOP ON	Turn Loop On	
LOOP X2	Double current loop	
AIR FX	Engage AIR FX	

NOTE: The best way to edit the in and out points of a manual loop is with the jog wheel/platter on your DJControl Jogvision.

MIDI

The MIDI feature in Serato DJ provides the ability to remap Serato DJ software functions to your primary Serato DJ controller, interface or mixer. You can also assign controls to a secondary MIDI controller to further enhance your performance.

[For more information on MIDI mapping with Serato DJ click here.](#)

To remap your supported Serato DJ device, open the **SETUP** screen and click the **MIDI** tab. If your Serato DJ device supports hardware remapping it will show up in the **MIDI Devices** list at the top.

Select your connected device from the MIDI Devices list and make sure the “Allow Serato Hardware Remapping” option is checked.

Allow Serato Hardware Remapping

Once checked, the MIDI assign button at the top of the screen will become available for you to start remapping.


MIDI


You can save, edit or delete MIDI presets in the **MIDI** tab of the **SETUP** screen. Clicking ‘**Restore Defaults**’ will erase any custom mappings for all connected devices and revert their functions back to default.

[Download the Serato DJ software manual for further information.](#)

NOTE: Official Serato Accessories do not currently support user remapping. Hardware features that cannot be remapped at this stage are Jogwheels/Platters, Input Switches, Shift buttons and Performance Pad Mode buttons. Re-mapping any pad(s) in Hot Cue mode will also re-map the same pad in Saved Flip mode and vice versa.

Using the Tool Tips

Click on the  icon to enable Tool Tips. This is located in between the MIDI and setup button in the top right hand corner of the screen. Tool Tips provide a handy way to learn the various features of Serato DJ.

Move the mouse over a section of the screen to bring up a context sensitive tool tip. Holding the mouse over the  button with Tool Tips turned on will show you a list of all keyboard shortcuts.

For more information about how to use Serato DJ, please go to our website www.serato.com or refer to the Serato DJ Software Manual.

For more information on your controller, please refer to the hardware manual.

For further help, please contact support@serato.com or go to www.serato.com/dj/support

serato

