

**QUICK-START
GUIDE
HERCULES
DJCONTROL
JOGVISION**

serato



DJ INTRO

Installation and Setup

The Hercules DJControl Jogvision is a class compliant USB plug and play device and requires no further driver installation on Mac OS X, but requires drivers for Windows. Please download the latest drivers from the manufacturers website.

NOTE: Please ensure you have the latest available drivers AND firmware updates, which may be required in order to be compatible with Serato DJ Intro. Please visit the hardware manufacturers website for downloads.

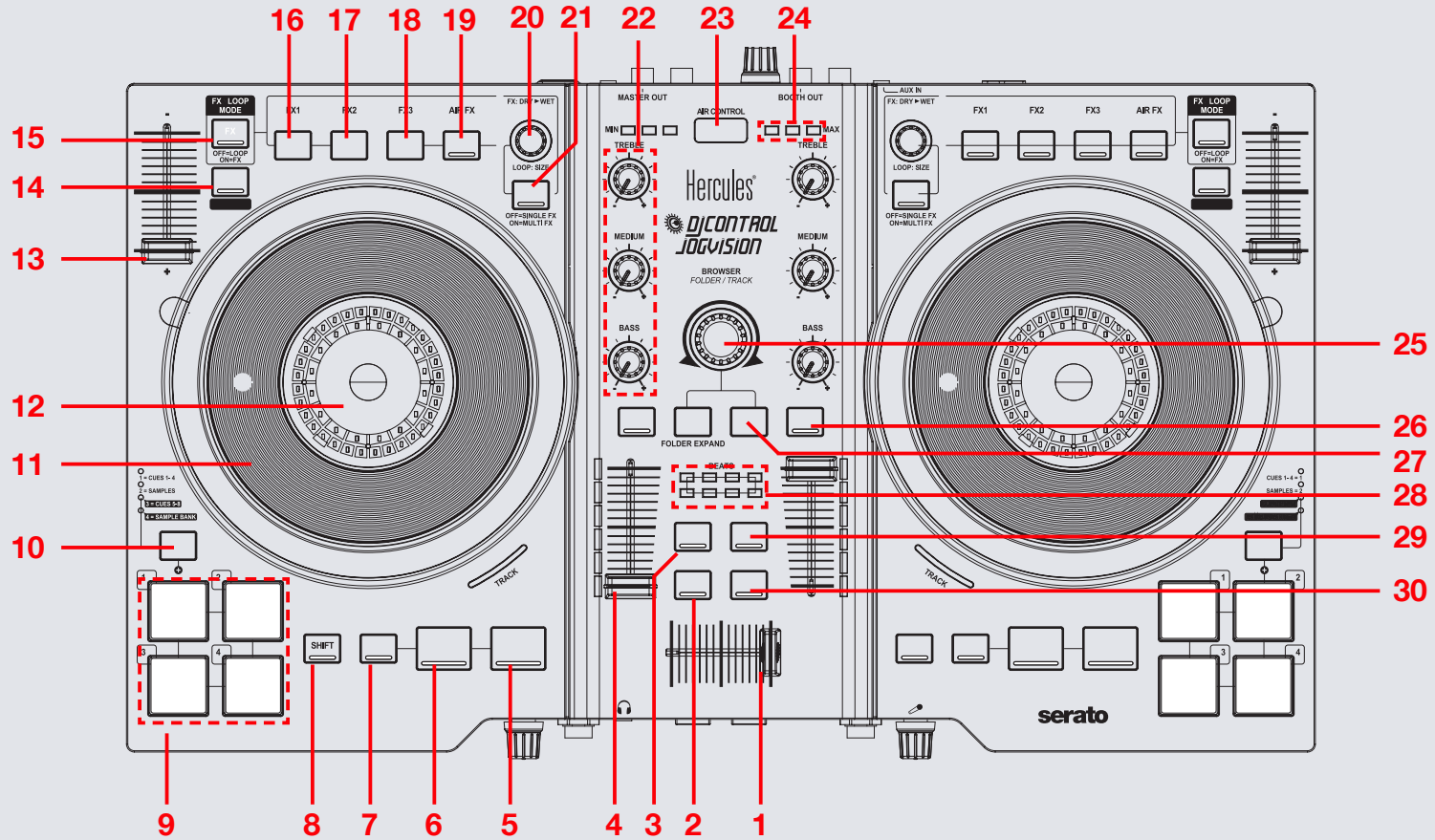
1. Download and install the latest version of Serato DJ Intro from <http://serato.com/dj/downloads>
2. After installing drivers, connect your DJControl Jogvision to an available USB Port.
3. Open Serato DJ Intro.

serato



DJ INTRO

Controller



NOTE: SHIFT button is used with other buttons that have shift modifier functions.

#	DJControl Jogvision Control	Serato DJ Intro Function	Shift Function
1	CROSSFADER	Fade audio between channels	
2	VIEW	Toggle Serato DJ Intro view modes	
3	VINYL	Enable VINYL mode for the platters	
4	CHANNEL FADER	Adjust channel output volume	
5	PLAY/PAUSE	Play/pause currently loaded track	Stutter cue
6	CUE	Set/Play from temporary cue	Previous track
7	SYNC	Enable SYNC	Disable SYNC
8	SHIFT	Used with other controls that have SHIFT modifier functions	
9	PERFORMANCE PADS	SEE PERFORMANCE PADS SECTION FOR MORE INFORMATION	
10	MODE	Toggle performance pad mode	
11	PLATTER	Used to control loaded track	
12	TEMPO FADER	Adjust tempo of currently loaded track	
13	KEY LOCK	Enable Keylock	
14	FX/LOOP MODE	Turn on for FX Mode, turn off for Loop Mode	
15	FX 1/LOOP 1/2	Turn FX 1 On/Half the currently selected loop	Select FX for slot
16	FX 2/LOOP ON	Turn FX 2 On/Turn currently selected loop On	Select FX for slot
17	FX 3/LOOP 2X	Turn FX 3 On/Double the currently selected loop	Select FX for slot
18	AIR FX	Engage AIR FX for channel	Tap Tempo



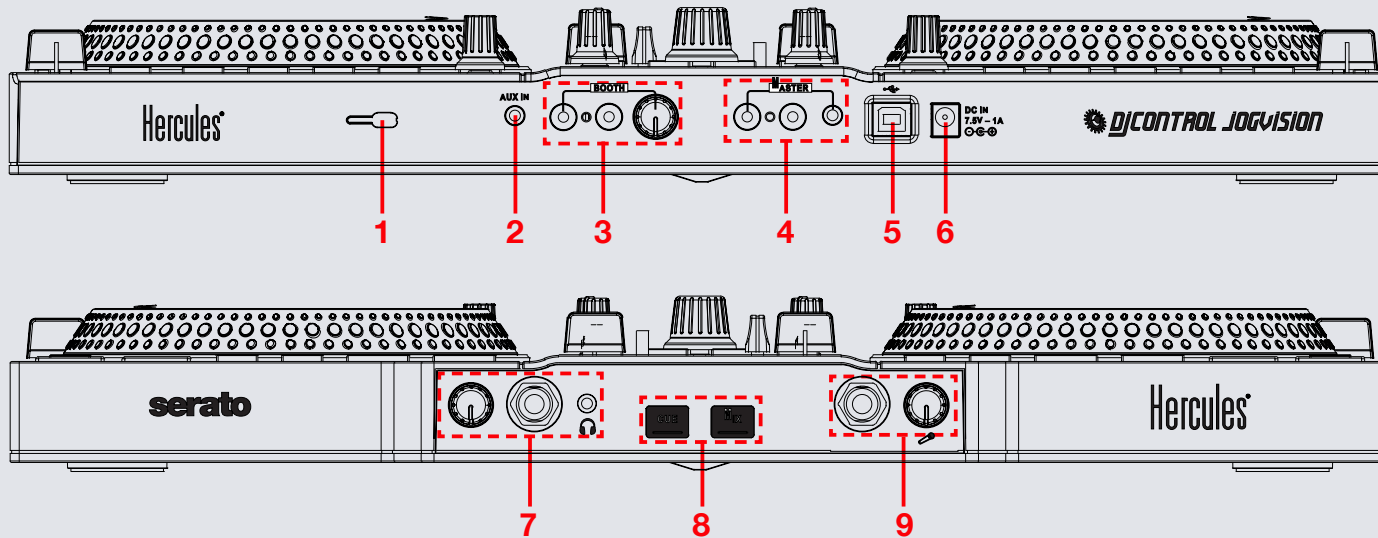
NOTE: SHIFT button is used with other buttons that have shift modifier functions.

#	DJControl Jogvision Control	Serato DJ Intro Function	Shift Function
20	BEATS	Adjust FX Dry/Wet	Adjust beats multiplier timing
21	MULTI FX	N/A	
22	CHANNEL EQ	Adjust EQ for channel	
23	AIR CONTROL	Control DJControl Jogvision Air Control features	
24	MIN MAX LCD	Shows intensity of AIR FX	
25	BROWSE KNOB	Browse Serato DJ Intro library	Back
26	CHANNEL CUE	Enable headphone monitoring for selected channel	
27	LOAD A/B	Load highlighted track in the library to respective deck	
28	BEATS LCD	Beatmatching assistant display	
29	MIC	Turn Mic On/Off	
30	LOAD PREPARE	Load highlighted track in the library to the Prepare crate	Toggle Serato DJ Intro areas

serato



DJ INTRO



#	DJControl Jogvision Control	Serato DJ Intro Function
1	SECURITY LOCK	Connect a security lock to the device
2	AUX IN	1/8" Auxiliary input
3	BOOTH	Booth output and level control
4	MASTER	Master output
5	USB	Connect a USB to your computer
6	DC POWER IN	DC Power input
7	HEADPHONES	1/8" and 1/4" Headphone output and level control
8	CUE/MIX	Press CUE to monitor the selected channel, press MIX to monitor the master output
9	MIC	Microphone input and level control

AIR FX

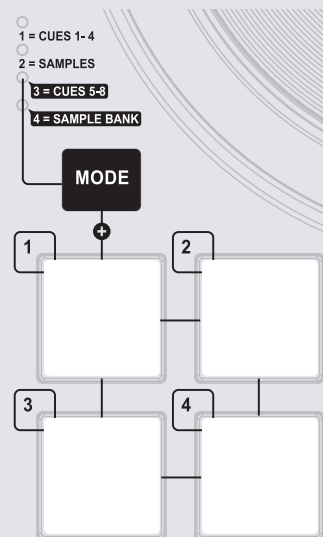


The Hercules DJControl Jogvision has a proximity sensor Instant Filter. By turning the AIR FX on and moving your hand over the AIR CONTROL sensor you are able to engage a Low Pass Filter for the channels which have Air FX active.

Hold your hand high to start filtering, lower the hand towards the controller to increase the depth of the filter. When the hand is taken away the filter is removed.

The intensity of the filter is displayed on the MIN/MAX LCD meter.

Performance Pads



Choose the Performance Pad mode you want to use by holding the **MODE** button and pressing one of the 4 Performance Pads. Hold **MODE** and press Pad 1 for **CUES 1-4**, press Pad 2 for **SAMPLES**. Pad Modes 3 and 4 do not have a function in Serato DJ Intro.

While in Cue modes, pressing a pad will set/play a Cue Point. Hold **SHIFT** and press a Cue Point pad to delete the Cue Point. While in Sampler modes, hold **SHIFT** and press a Sampler pad to stop the playing sample. If no sample is loaded, pressing an empty pad while in Sampler modes will load the currently highlighted file in your library to the respective SP-6 Sampler slot.

DJ-FX

You can have up to three different effects active per Virtual deck within Serato DJ Intro with the DJControl Jogvision.

Jogvision control	Single FX	Multi FX	Shift
FX 1	Enable FX	Enable FX 1	Select effect for slot 1
FX 2	Adjust FX parameter 2	Enable FX 2	Select effect for slot 2 (Multi-FX only)
FX 3	Adjust FX parameter 3	Enable FX 3	Select effect for slot 3 (Multi-FX only)
AIR FX	Engage AIR FX	Engage AIR FX	Tap Tempo
BEATS	Adjust FX 1 Dry/Wet	Adjust all FX Dry/Wet	Adjust beats multiplier timing

The effect time is set using the tracks BPM value, but by adjusting the Beats Multiplier you can increase or decrease the effect timing.

Looping

Jogvision control	Serato DJ Intro control
LOOP X1/2	Half current loop
LOOP ON	Turn Loop On
LOOP X2	Double current loop
AIR FX	Engage AIR FX

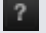
NOTE: The best way to edit the in and out points of a manual loop is with the jog wheel/platter on your DJControl Jogvision.

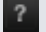
serato



DJ INTRO

Using the Tool Tips

Click on the  icon to enable Tool Tips. This is located in next to the setup button in the top right hand corner of the screen. Tool Tips provide a handy way to learn the various features of Serato DJ Intro Intro.

Move the mouse over a section of the screen to bring up a context sensitive tool tip. Holding the mouse over the  button with Tool Tips turned on will show you a list of all keyboard shortcuts.

For more information about how to use Serato DJ Intro Intro, please go to our website www.serato.com or refer to the Serato DJ Intro Intro Software Manual. For more information on your controller, please refer to the hardware manual.

For further help, please contact support@serato.com or go to www.serato.com/dj-intro/support

serato



DJ INTRO