

**QUICK-START
GUIDE
PIONEER
XDJ-1000**

serato



Installation and Setup

The Pioneer XDJ-1000 is a class compliant USB plug and play device for Mac, but requires drivers for Windows. You will find these on the installation CD that is provided with your XDJ-1000, or as a download from the [Pioneer website](#).

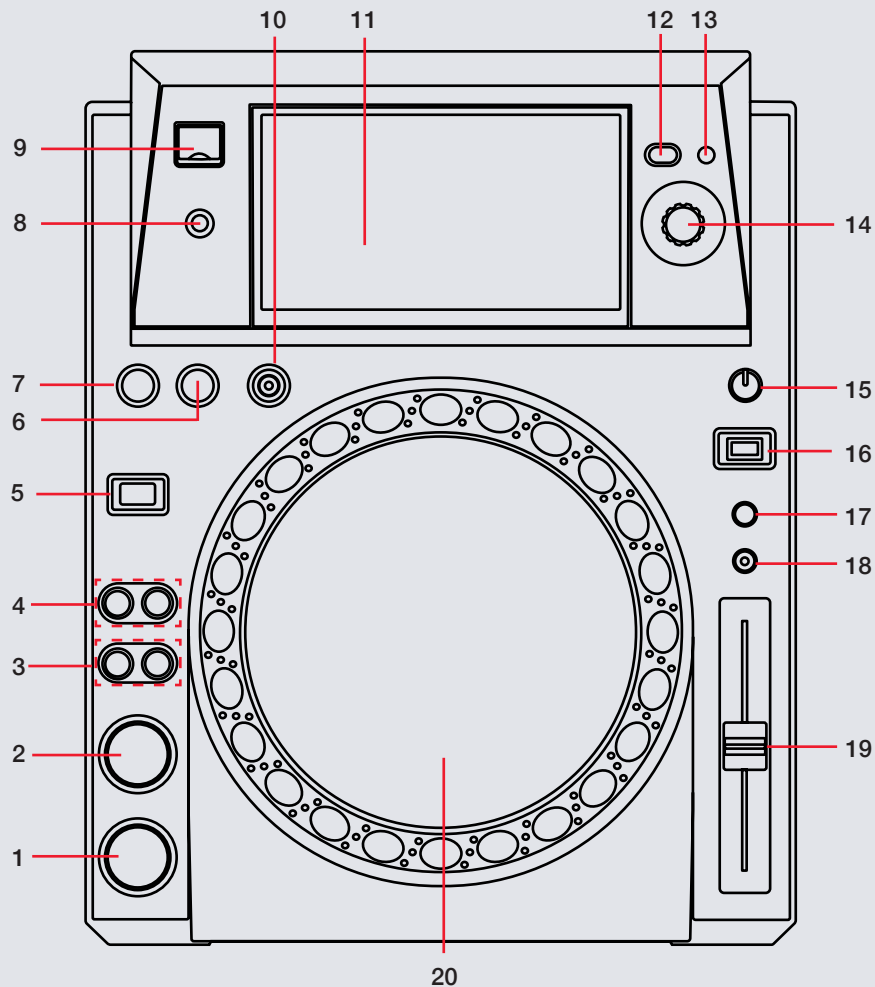
To use a pair of XDJ's with Serato DJ, you will need at least 3 available USB ports. If you don't have 3 ports available you may be able to connect your XDJ's to a powered USB hub. It is however, important to always connect your Serato DJ hardware directly to your computer.

Please also ensure you have also installed the latest available version of [Serato DJ](#).

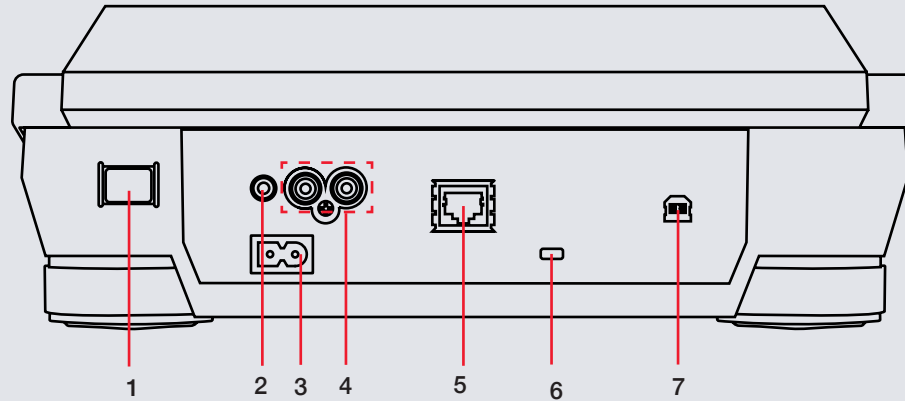
1. Connect your Serato DJ hardware as per normal into an available USB port on your computer.
2. Connect the XDJ to your computer via USB cable or USB hub.
3. Open Serato DJ.
4. Press the **LINK** button on the XDJ-1000 Touch Display.
5. Press the Scroll Knob to connect to the computer.
6. Use the Scroll Knob to choose which virtual deck you wish the XDJ-1000 to control and press to confirm.
7. Set the virtual deck in Serato DJ to Internal mode (INT).

serato



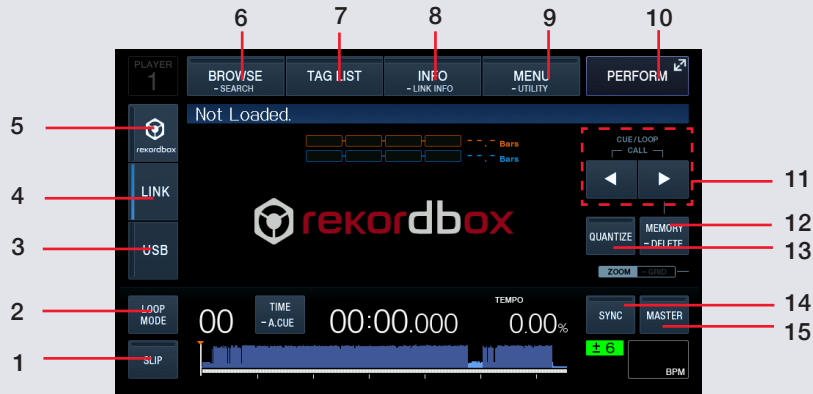


#	XDJ-1000 Control	Function
1	PLAY/PAUSE	Play/Pause track
2	CUE	Works as XDJ style cue button for setting and jumping to temporary cue.
3	SEARCH	Fast Forward/Rewind
4	TRACK SEARCH	Load Next Track/Previous Track
5	DIRECTION	Activates Reverse
6	OUT	Set loop out point. (Press again to adjust the loop out point.)
7	IN	Set loop in point. (Press again to adjust the loop in point.)
8	USB STOP	Stop USB link
9	USB	Connect a USB device
10	RELOOP/EXIT	Reloop/Exit Loop (Loop Active)
11	TOUCH DISPLAY	<i>See Touch Display section for more information</i>
12	BACK	Toggles between Library and Crates
13	TAG TRACK/ REMOVE	Add currently selected track to Prepare Panel
14	SCROLL KNOB	Scrolls through library. Push the scroll knob to load selected track
15	RELEASE/START ADJUST	Adjust starting speed
16	JOG MODE	Toggles between jog or bend mode
17	TEMPO	Cycle through available tempo ranges
18	MASTER TEMPO	Keylock On/Off
19	TEMPO FADER	Adjust Tempo
20	JOG WHEEL	Touch the top to scratch or jog. Moving the outside of the wheel will jog.

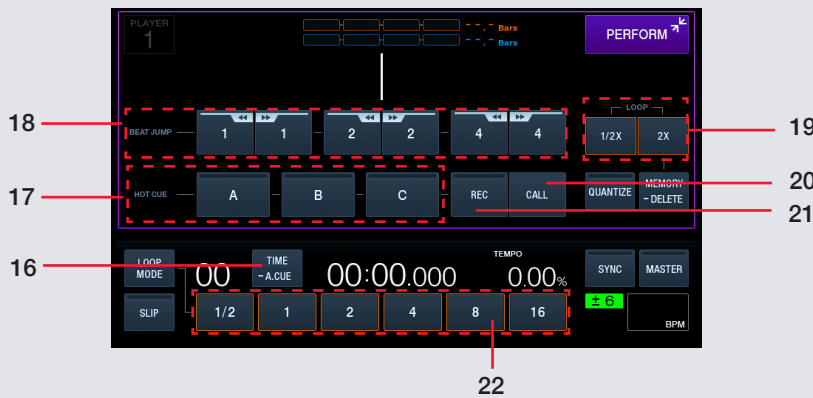


#	XDJ-1000 Control	Function
1	POWER	Turn the XDJ-1000 on/off
2	CONTROL	Connect external control device
3	AC IN	AC power input
4	AUDIO OUT (RCA)	RCA audio output
5	LINK	Connect a Link cable to link XDJ-1000 units together
6	KENSINGTON LOCK SLOT	Can be used to secure the device (Kensington lock not included)
7	USB	Connect the XDJ-1000 to your computer via USB

TOUCH DISPLAY



To enter the performance mode as shown in the image below, press the **PERFORM** button on the XDJ-1000 Touch Display. You can also show Auto-Loop options by pressing the **LOOP MODE** button.



#	XDJ-1000 Control	Serato DJ Function
1	SLIP	Slip Mode ON
2	LOOP MODE	Toggle Auto Loop Controls On/Off
3	USB	USB control mode.
4	LINK	LINK control mode.
5	REKORDBOX	REKORDBOX control mode.
6	BROWSE	Display library
7	TAG LIST	Show track Tag List.
8	INFO	Show track information. Long press for LINK information.
9	MENU	Show Menu. Long press for UTILITY mode.
10	PERFORM	Enter PERFORM mode.
11	CUE/LOOP	Select Loop Slot Up/Down
12	MEMORY/DELETE	Long press to Delete saved loop from slot.
13	QUANTIZE	Quantize ON
14	SYNC/MASTER	Sync On / Resync
15	MASTER	Sync Off
16	TIME	Toggle time elapsed/remaining.
17	HOT CUE	Hot Cue A, B and C trigger the top 3 Cue Points.
18	BEAT JUMP	N/A
19	HALF/DOUBLE LOOP	Half/Double current loop size (when LOOP MODE is active)
20	CALL	N/A
21	REC	Activates REC mode, which allows Hot Cues 1, 2 and 3 to overwrite existing Cue Points
22	LOOP SIZE	Enable auto loops of different lengths.


MIDI


The MIDI control feature in Serato DJ provides the ability to map Serato DJ software functions to MIDI controller functions such as keyboards, triggers, sliders, and knobs. Integrating MIDI controllers into your Serato DJ setup can improve live performance usability, such as hitting pads on a MIDI controller to trigger Loops or Cue Points. Buttons marked as 'MIDI mappable' can be MIDI mapped to the Serato DJ function of your choice.

For further information on how to MIDI map Serato DJ software functions, download the Serato DJ manual.

NOTE: You can not change existing functions on the XDJ-1000. You will need to connect a secondary MIDI controller to map controls.

Using the Tool Tips

Click on the  icon to enable Tool Tips. This is located in between the MIDI and setup button in the top right hand corner of the screen. Tool Tips provide a handy way to learn the various features of Serato DJ.

Move the mouse over a section of the screen to bring up a context sensitive tool tip. Holding the mouse over the  button with Tool Tips turned on will show you a list of all keyboard shortcuts.

For more information about how to use Serato DJ, please go to our website www.serato.com or download the Serato DJ Manual.

For more information on your XDJ-1000, please refer to the Pioneer XDJ-1000 manual.

For further help, please contact support@serato.com or go to <http://serato.com/dj/support>

serato

